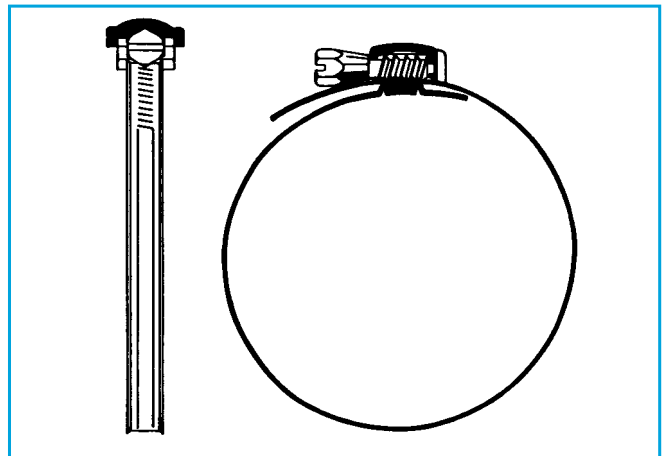
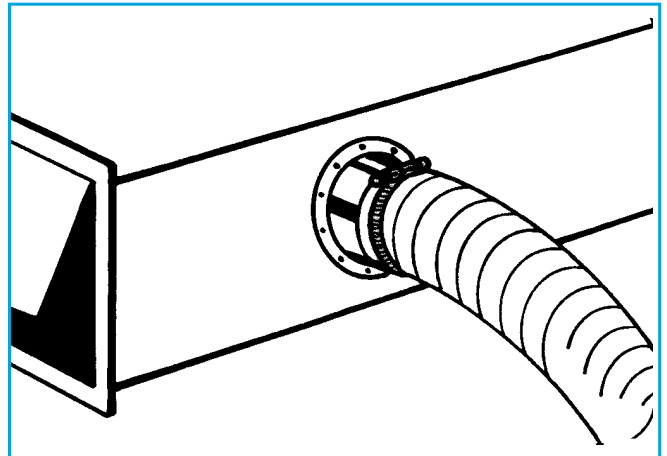


Endless tube strap band for flexible air-, gas-, fume- & dust-conduction

- MEZ®-STRIPSTEEL can be cut into sections quickly and concisely on the requested diameter.
- MEZ®-STRIPSTEEL combines minimum dimensions and maximum functionality.
- Due to the tilt-pull-mechanism the strap can be adjusted to the respective diameter on the spot.
The length is regulated as follows:
 1. Count spacing according to measurement table.
 2. Cut into sections and bend in the direction of the arrows which can be found in regular intervals on the band.
 3. Put the bent band in the provided slot of the traction device.
- Tightening strap and traction device are together a VERYFLEX STRAP according to German DIN 3017, band width 9 mm, antirust strap band in arbitrary diameter.



Measurement table (all figures in mm)

Ø	Interspace	Ø	Interspace
100	3,0	275	7,5
125	4,0	300	8,5
150	4,5	350	9,5
175	5,0	400	11,0
200	6,0	450	12,0
225	6,5	500	13,0
250	7,0	600	16,0

Art.no.	Description	Material	Packaging unit	Weight
557	MEZ-STRIPSTEEL	stainless steel	30 m	1,0 kg / roll
558	MEZ-Traction device	hardened galvan. steel	50 units	1,4 kg / 100 units

Subject to change